



eastnights

WOODEN IND. L.L.C. SP.



EASTNIGHTS FLIGHT CASES

Protect your gears with the best.

www.eastnightllc.com

follow us on



OUR PRODUCTS

eastnights



Impact Resistance: Engineered to absorb shocks and prevent damage.

Waterproof & Dustproof: Ensures complete protection from the elements.

Strong Construction: Protect heavy equipments without compromising on strength.

Lockable: Enhanced security with durable locking mechanisms.



RACK CASES



CARRY CASES



CHAIN HOIST CASES



**PELICAN
FOAM INSERT CASES**



DJ CASES



DRONE CASES



HEAVY-DUTY CRATES



**MUSICAL
INSTRUMENTS CASES**



SOUND SYSTEMS CASES



LIGHTING SYSTEMS CASES



PLASMA/LCD/LED CASES



PRODUCTION CASES



PROJECTOR CASES



ROAD TRUNK CASES



SMOKE & HAZER CASES



TOOL CONTROL CASES



**TRUSSING &
RIGGING CASES**



VIDEO PRODUCTION CASES



CABLE CASE



CCTV PTZ CAMERA CASE



FLIGHT CASE FOAM INSERT



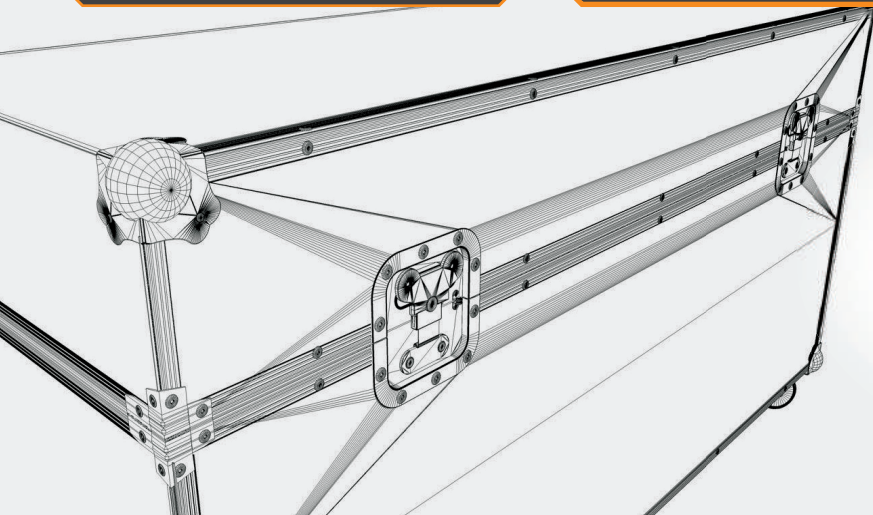
KEYBOARD CASE



MIXER CASE



**RACK DRAWER
FOAM INSERT**



Design your own
FLIGHT CASE

BESPOKE FLIGHTCASES | HEAVY-DUTY CRATES
TOOL CONTROL | FOAM INSERTS



▶ ABOUT US

Welcome to EASTNIGHTS Flight Cases, where quality meet's reliability. We specialize in providing top-notch flight cases designed to protect and transport your valuable equipment safely and efficiently.

▶ OUR STORY

EASTNIGHTS Flight Cases was founded in 2022 with a passion for creating the best protective solutions for the events and AV industry. Over the years, we have grown from a small startup to a trusted name in the market, achieving significant milestones and earning the trust of clients worldwide.

▶ OUR MISSION AND VALUES

Our mission is to deliver exceptional flight cases that meet the highest standards of durability and functionality. We are driven by values such as innovation, integrity, and customer satisfaction, ensuring that every product we create exceeds your expectations.

▶ OUR PRODUCTS AND SERVICES

We offer a wide range of flight cases, including custom solutions tailored to your specific needs. Our products are known for their robust construction, innovative designs, and superior protection. In addition to flight cases, we provide customization services to ensure that your equipment is perfectly secured, as well as repair services to extend the life of your cases.

▶ WHY CHOOSE US

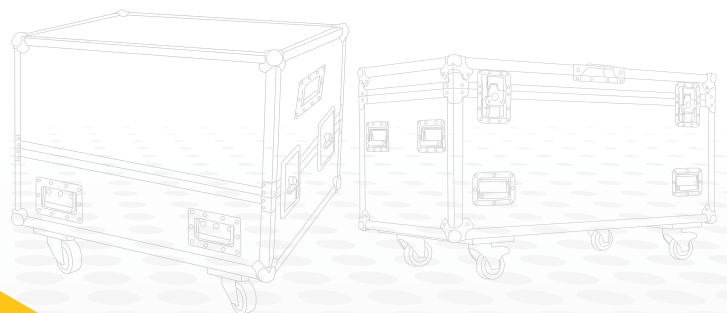
EASTNIGHTS Flight Cases stands out for our commitment to quality, personalized service, and industry expertise. We understand the unique needs of event planners and AV companies, providing solutions that are both practical and cost-effective. Our flight cases are designed to withstand the rigors of transportation, ensuring your equipment arrives safely every time.

▶ SUSTAINABILITY & COMMUNITY INVOLVEMENT

At EASTNIGHTS, we are committed to sustainability and giving back to the community. We use eco-friendly materials and processes wherever possible and support local initiatives to make a positive impact.

▶ OUR TEAM

Our team comprises experienced professionals dedicated to delivering the best protective solutions. From our skilled designers to our meticulous craftsmen, every member of the EASTNIGHTS team plays a crucial role in ensuring the quality and reliability of our products.



SCAN ME

📍 P.O. Box: 21739, Emirates Industrial City, Al Sajaa, Sharjah - UAE

☎ +971 6 537 3470 📠 +971 50 751 1812

✉ sales@eastnightllc.com 🌐 www.eastnightllc.com